

15-508  
6th Edition

**PZG**  
**7" STROKE**  
**TRIPLEX**  
**SINGLE ACTING PUMP**

15-508

**Parts List**



**GARDNER-DENVER**  
INDUSTRIAL MACHINERY DIVISION

**INSTRUCTIONS FOR ORDERING REPAIR PARTS**

When ordering parts, specify Pump Model, Size and Serial Number (see name plate on pump). Serial Number is also stamped on cylinder end of frame.

All orders for Parts should be placed with the nearest Sales and Service Office.

Reference numbers shown in the left hand column of the Parts Lists are used to help locate the parts shown on the Drawings and Sectional Views. **DO NOT ORDER BY REFERENCE NUMBERS.**

After locating the reference number, the part number may be found for your particular pump unit under the correct Model Number column.

Specify exactly the number of parts required (see column "Qty. Req. Per Pump"). **DO NOT ORDER BY SETS.**

To determine the Right Hand and Left Hand side of the pump, stand at the power end and face the fluid end of the pump.

**PARTS RETURNED**

All claims must be made within five days after receipt of goods. If order has been filled correctly, we cannot

allow the return of the goods without our consent and then only on a basis of a charge for service and rehandling plus transportation charges.

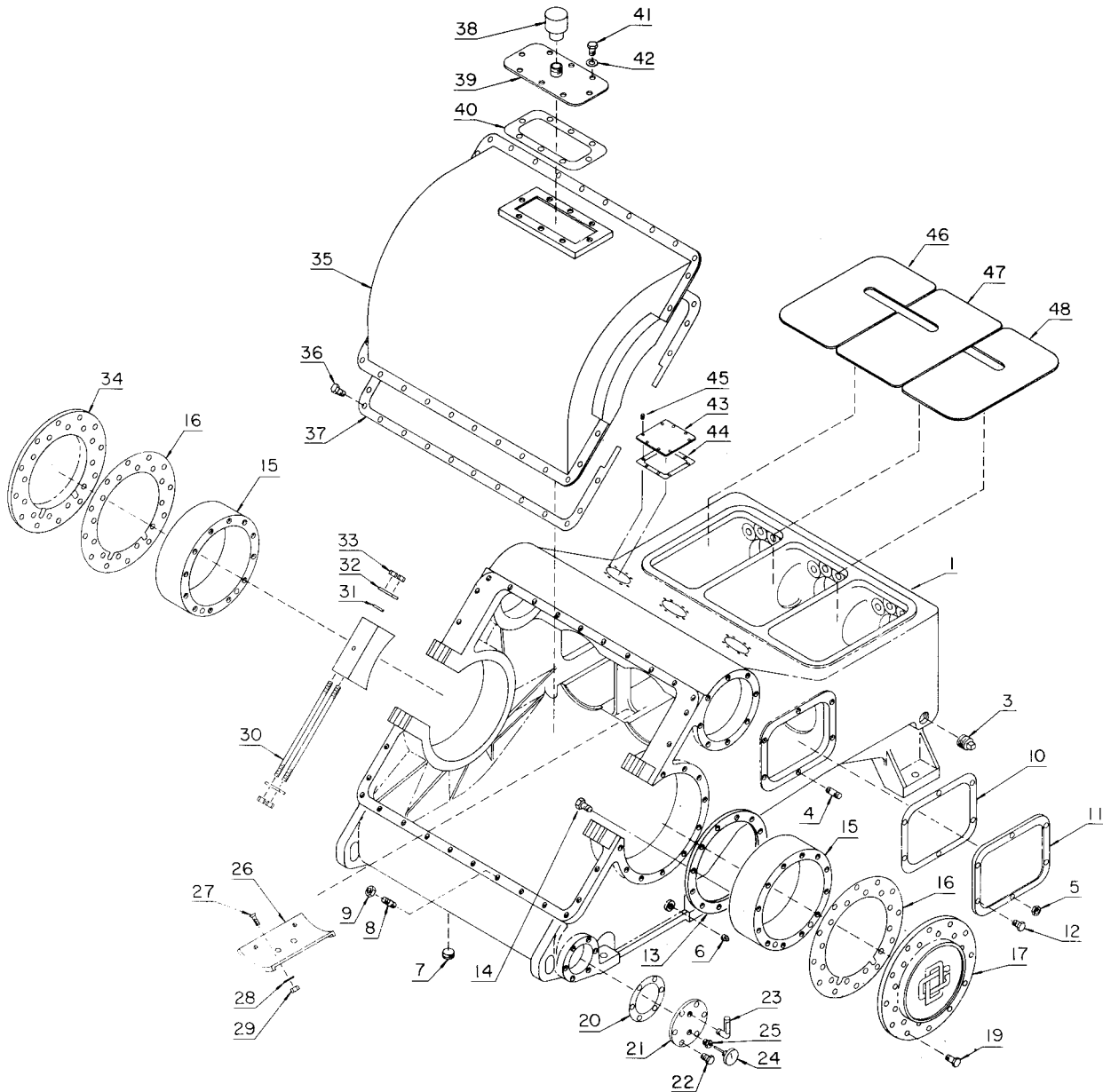
Transportation charges must be prepaid. If it is necessary to return a part to the factory for duplication or inspection, do not fail to do the following:

1. Write the nearest Sales and Service Office a letter advising what material you wish to return and why.
2. After receiving permission to return the item or items, obtain from the Sales and Service Office the correct forms filled out by that office for the proper return of material.
3. Place a tag in the package showing your name and address.
4. Tag each article in the box or package stating what and how many are returned.
5. Always give the serial number of the machine from which the parts were removed or the invoice number on which the parts were originally shipped.

All parts returned for credit should be handled in the same manner as that for duplication or inspection.

**INDEX**

Connecting Rod . . . . . 4, 5	Oil Pump . . . . . 18
Crosshead & Oil Stop Head . . . . . 4, 5	Oil Pump & Piping . . . . . 14, 15
Drive Parts . . . . . 4, 5	Ordering Instructions . . . . . 1
Eccentric & Bearing . . . . . 4, 5	Piping, Piston Lubricating . . . . . 16, 17
Fluid Cylinder & Manifolds . . . . . 6, 7	Piston & Piston Rod . . . . . 11, 12, 13
Frame . . . . . 2, 3	Puller, Valve Seat . . . . . 10
Jackshaft . . . . . 4, 5	Pump, Piston Lubricating . . . . . 18
Liner & Liner Clamp . . . . . 11, 12, 13	Valves, Fluid . . . . . 8, 9
Oil Filter . . . . . 19	



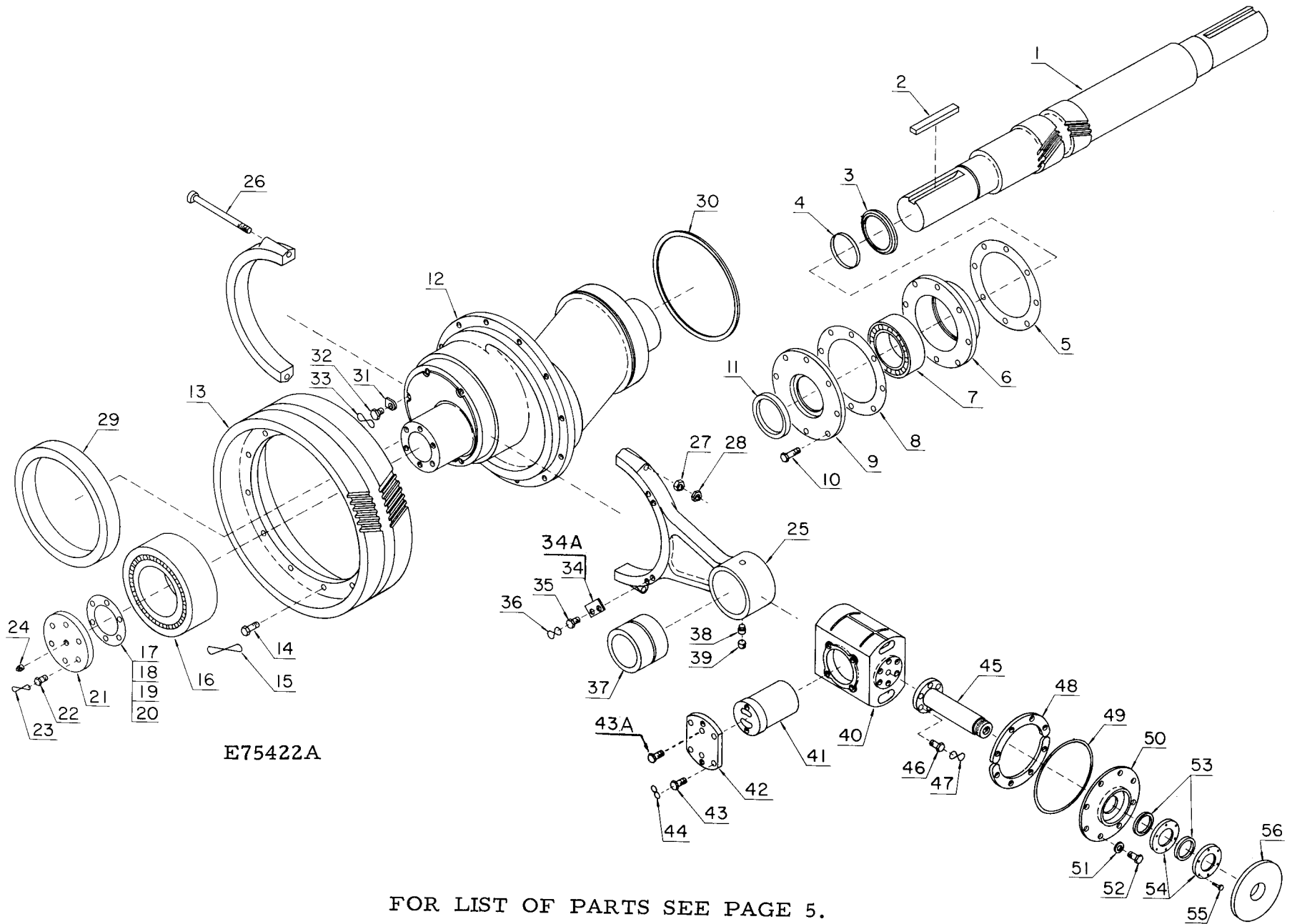
E75647X

FOR LIST OF PARTS SEE PAGE 3.

Order by Part Number and Description. Reference Numbers for your convenience only.

Ref. No.	Name of Part	Qty. Req. Per Pump	Models PZGA PZGBFA	Model PZGBFB
<b>FRAME</b>				
			Part No.	Part No.
1	ASM FRAME, Incl. next 8 items	1	200PZG001A	201PZG001A
∅	PLUG-SqHd PIPE	2	64A27	64A27
3	PLUG-SqHd PIPE	1	64AA9	64AA9
4	STUD, Crosshead Inspection Plate	2	79A238	79A238
5	NUT, Crosshead Inspection Plate Stud	2	50B5	50B5
6	PLUG-SqHd PIPE	1	64A5	64A5
7	PLUG-MAGNETIC, Oil Drain	3	66D13	66D13
8	STUD, Hood	2	79A6	79A6
9	NUT, Hood Stud	2	50B5	50B5
10	GASKET, Crosshead Inspection Plate	2	PZ715	PZ715
11	PLATE-INSPECTION, Crosshead	2	200PZG052	200PZG052
12	SCREW, Crosshead Inspection Plate	10	75A20	75A20
13	PLATE-BEARING RETAINING	1	201PZG253	201PZG253
14	SCREW, Bearing Retaining Plate	12	75A196	75A196
15	HOUSING-BEARING, Eccentric	2	200PZG006	200PZG006
16	GASKET, Bearing Cover Plate	2	201PZG715	201PZG715
17	PLATE-BEARING COVER (Rigid Side)	1	200PZG315	200PZG315
19	SCREW, Bearing Cover Plate	48	75A57	75A57
20	GASKET, Inspection Plate	1	25C1788	25C1788
21	PLATE-INSPECTION	1	4PO237	202FXT052
∅	SHIELD, Oil Gauges	1	200PZL122	None
22	SCREW, Inspection Plate	6	75A18	75A18
23	GAUGE, Oil Level Sight	1	40L17	40L17
24	GAUGE-TEMPERATURE	1	27H11	27H11
25	BUSHING-PIPE, Temperature Gauge to Frame	1	64E2	64E3
∅	BUSHING-PIPE, Oil Level To Frame	1	None	64E5
26	SLIDE-CROSSHEAD	6	200PZG309	200PZG309
27	SCREW, Crosshead Slide to Frame	24	75LM6	75LM6
28	SEAL-FASTENER	12	60DD35	60DD35
29	LOCKNUT	24	50V44	50V44
30	STUD, Spacer to Frame	4	2012526	2012526
31	KEY, Spacer to Frame	4	35C19	35C19
32	PLATE	4	200PZG247	200PZG247
33	NUT, Spacer to Frame Stud	8	50B34	50B34
34	PLATE-BEARING COVER (Floating Side)	1	201PZG315	201PZG315
35	HOOD	1	200PZG053	200PZG053
36	SCREW, Hood to Frame (1/2 x 1)	28	75A4	75A4
∅	SCREW, Hood to Frame (1/2 x 4-1/2)	4	75A221	75A221
37	GASKET, Hood	1	200PZG715	200PZG715
38	BREATHER	1	5C24	5C24
39	PLATE-INSPECTION	1	KXG842	KXG842
40	GASKET, Inspection Plate	1	25C1818	25C1818
41	SCREW, Inspection Plate	8	75A195	75A195
42	GASKET, Inspection Plate Screw	8	25F13	25F13
43	PLATE-INSPECTION	3	206PZL052	206PZL052
44	GASKET, Inspection Plate	6	25C1839	25C1839
45	SCREW, Inspection Plate	24	75A1	75A1
46	PLATE-INSPECTION, Piston Rod	1	201PZG052	None
47	PLATE-INSPECTION, Piston Rod	1	202PZG052	None
48	PLATE-INSPECTION, Piston Rod	1	203PZG052	None
∅	SUPPORT, Frame to Skid	2	200PZG165	None
∅	SCREW, Support to Frame	4	75A43	None

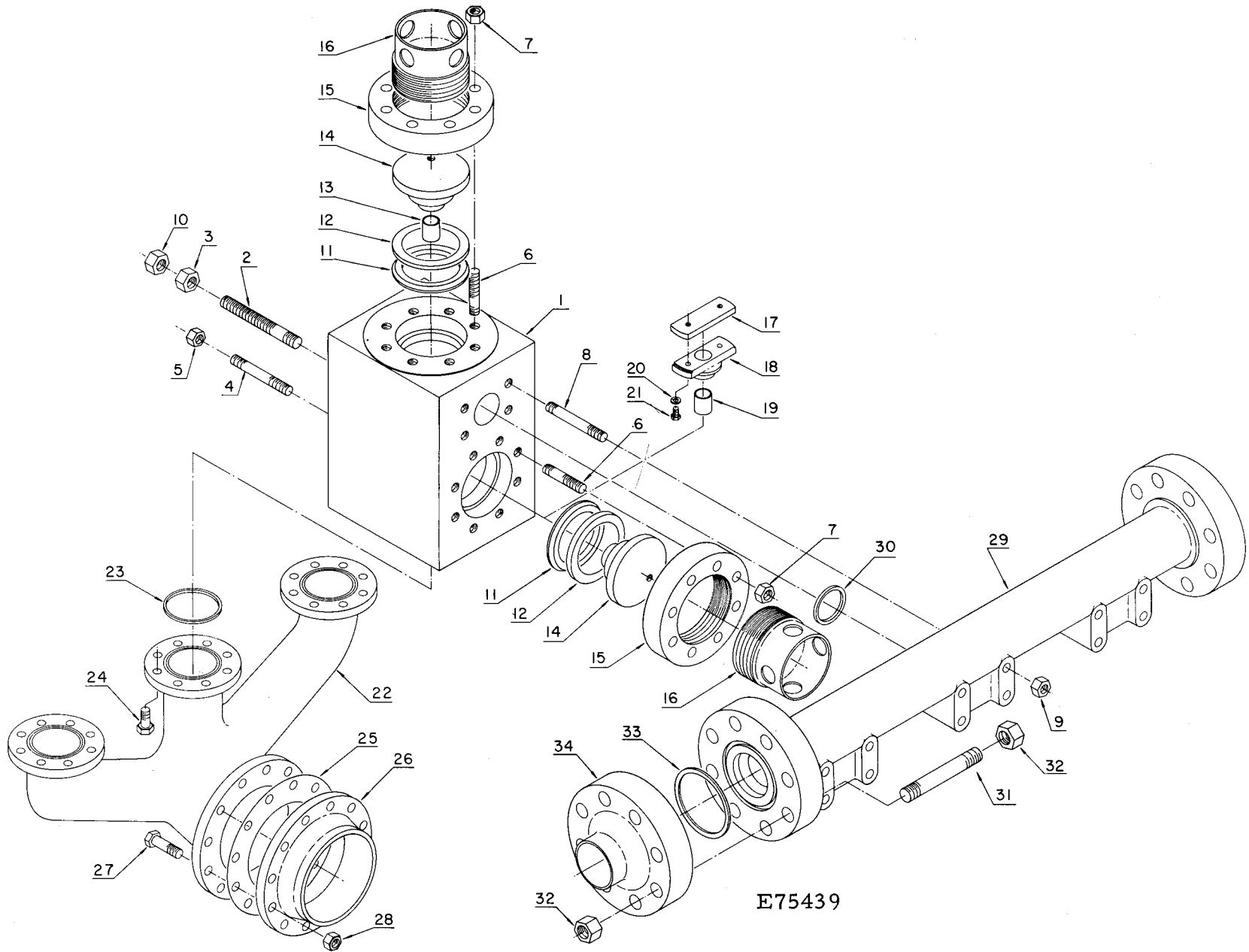
∅ Not shown on illustration.



FOR LIST OF PARTS SEE PAGE 5.

Order by Part Number and Description. Reference Numbers for your convenience only.

Ref. No.	Name of Part	Qty. Req. Per Pump	Model PZGA	Model PZGBFA	Model PZGBFB
<b>DRIVE PARTS</b>					
			Part No.	Part No.	Part No.
1	JACKSHAFT	1	200PZG371	201PZG371	201PZG371
2	KEY-JACKSHAFT	1	200PZG062	200PZG062	200PZG062
3	SPACER, Jackshaft Bearing	2	200PZG600	200PZG600	200PZG600
4	SLEEVE-WEAR	2	80M7	80M7	80M7
5	GASKET, Bearing Housing to Frame	2	25C2619	25C2619	25C2619
6	HOUSING-BEARING	2	201PZG006	201PZG006	201PZG006
7	BEARING-ROLLER, Jackshaft	2	12W75	12W75	12W75
8	GASKET, Retainer Plate to Bearing Housing	2	25C2620	25C2620	25C2620
9	PLATE, Bearing Retainer	2	200PZG253	200PZG253	200PZG253
10	SCREW, Bearing Housing	16	75A14	75A14	75A14
11	SEAL-OIL	2	60DD39	60DD39	60DD39
12	ECCENTRIC	1	200PZG255	200PZG255	200PZG255
13	GEAR-DRIVEN	1	200PZG280	201PZG280	201PZG280
14	SCREW, Gear to Eccentric	12	75B35	75B35	75B35
15	WIRE	144 Inches	97A29	97A29	97A29
16	BEARING-ROLLER, Eccentric	2	12BA20	12BA20	12BA20
17	SHIM (.002")	6	200PZG732	200PZG732	200PZG732
18	SHIM (.005")	6	201PZG732	201PZG732	201PZG732
19	SHIM (.007")	6	202PZG732	202PZG732	202PZG732
20	SHIM (.020")	8	203PZG732	203PZG732	203PZG732
21	PLATE-RETAINER, Eccentric Bearing	2	201PZG168	201PZG168	201PZG168
22	SCREW, Retainer to Eccentric	12	75B55	75B55	75B55
23	WIRE	48 Inches	97A29	97A29	97A29
24	PLUG-SoHd PIPE	2	64AC4	None	None
25	CONNECTING ROD, Incl. Ref. No. 26 & 27	3	200PZG003	200PZG003	200PZG003
26	BOLT-CONNECTING ROD	6	200PZH254	200PZH254	200PZH254
27	NUT, Connecting Rod Bolt	6	50AQ30	50AQ30	50AQ30
28	LOCKNUT, Connecting Rod Bolt	6	50M2	50M2	50M2
29	BEARING, Connecting Rod to Eccentric	3	12BA18	12BA18	12BA18
30	RING-RETAINING, Connecting Rod Bearing	1	74D18	74D18	74D18
31	PLATE-RETAINER, Bearing to Eccentric	14	1PZ1400	1PZ1400	1PZ1400
32	SCREW, Bearing to Eccentric	14	75B11	75B11	75B11
33	WIRE	384 Inches	97A29	97A29	97A29
34	PLATE-RETAINER, Bearing to Connecting Rod	22	PZ1400	PZ1400	PZ1400
34A	PLATE-RETAINER, Bearing to Connecting Rod	2	201PZH253	201PZH253	201PZH253
35	SCREW, Bearing to Connecting Rod	48	75B41	75B41	75B41
36	WIRE	288 Inches	97A29	97A29	97A29
37	BEARING-ROLLER, Crosshead Pin	3	12BA19	12BA19	12BA19
38	PIN-LOCK	3	PZ838	PZ838	PZ838
39	SET SCREW	3	76F10	76F10	76F10
40	CROSSHEAD	3	200PZG005	200PZG005	200PZG005
41	PIN-CROSSHEAD	3	200PZG189	200PZG189	200PZG189
42	PLATE-RETAINER, Crosshead Pin	3	202PZG168	202PZG168	202PZG168
43	SCREW, Retainer Plate to Crosshead	12	75B49	75B49	75B49
43A	SCREW, Retainer Plate to Pin	6	75AG17	75AG17	75AG17
44	WIRE	72 Inches	97A29	97A29	97A29
45	ROD-EXTENSION	3	200PZH839	200PZH839	200PZH839
46	SCREW, Rod to Crosshead	18	PO701	PO701	PO701
47	WIRE	36 Inches	97A29	97A29	97A29
48	PLATE-RETAINER, Oil Stop Head to Frame	6	200PZG168	200PZG168	200PZG168
49	GASKET, Oil Stop Head	3	25BC69	25BC69	25BC69
50	HEAD-OIL STOP	3	200PZG051	200PZG051	200PZG051
51	GASKET	24	25F9	25F9	25F9
52	SCREW, Oil Stop Head to Frame	24	75A54	75A54	75A54
53	SEAL	6	2011872	2011872	2011872
54	RING-RETAINER, Oil Stop Head Seal	6	1PV1398	1PV1398	1PV1398
55	SCREW, Seal Retainer to Oil Stop Head	18	75A102	75A102	75A102
56	BAFFLE-PISTON ROD	3	2FXK840	2FXK840	2FXK840



FOR LIST OF PARTS SEE PAGE 7.

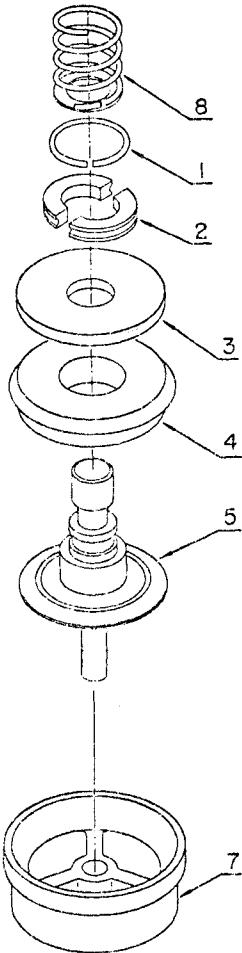
E75439

Order by Part Number and Description. Reference Numbers for your convenience only.

Ref. No.	Name of Part	Qty. Req. Per Pump	Models PZGA PZGBFA PZGBFB
<b>FLUID CYLINDER &amp; MANIFOLDS</b>			
			<b>Part No.</b>
1	ASM FLUID CYLINDER, Incl. Ref. No. 2 thru 9	3	205PZL029D
2	STUD (1-1/4), Cylinder to Frame & Liner Clamp	24	79L188
3	NUT (1-1/4), Cylinder to Frame & Liner Clamp Stud	48	50B36
4	STUD (7/8), Cylinder to Frame	12	79L73
5	NUT (7/8), Cylinder to Frame Stud	12	50AQ30
6	STUD, Valve Cover Ring to Cylinder	48	79AL6
7	NUT, Valve Cover Ring to Cylinder Stud	48	50B34
8	STUD, Cylinder to Discharge Manifold	12	202PZL110
9	NUT, Cylinder to Discharge Manifold Stud	12	50B34
10	NUT, Liner Clamp	24	50B36
11	RING-RETAINING, Valve Cover Gasket	6	2011861
12	GASKET, Valve Cover	6	2011862
13	BUSHING, Discharge Valve Cover	3	2007674
14	COVER-VALVE	6	2011860
15	RING-VALVE COVER	6	2011699
16	LOCK-COVER, Valve	6	2011857
	ASM VALVE GUIDE, Incl. Ref. No. 17 thru 21	3	2011706
17	PLATE-RETAINER	3	2011701
18	GUIDE-VALVE, Suction	3	2011700
19	BUSHING	3	2007674
20	WASHER-LOCK	6	95W2
21	SCREW	6	75AA178
22	MANIFOLD-SUCTION	1	200PZG069
23	GASKET, Suction Manifold to Cylinder	3	25G41
24	SCREW, Suction Manifold to Cylinder	24	75A74N
25	GASKET, Suction Manifold Flange	1	25C131
26	FLANGE, Suction	1	64CU11
27	SCREW, Suction Flange	8	75A214
28	NUT	8	50B8
29	MANIFOLD-DISCHARGE	1	200PZG071
30	GASKET, Discharge Manifold to Cylinder	3	25AL35
31	STUD, Discharge Manifold Flange	16	209PZL110
32	NUT, Discharge Manifold Flange Stud	32	50AW11
33	GASKET, Discharge Manifold Flange	2	25V24
34	FLANGE-DISCHARGE	2	64EB15



Order by Part Number and Description. Reference Numbers for your convenience only.



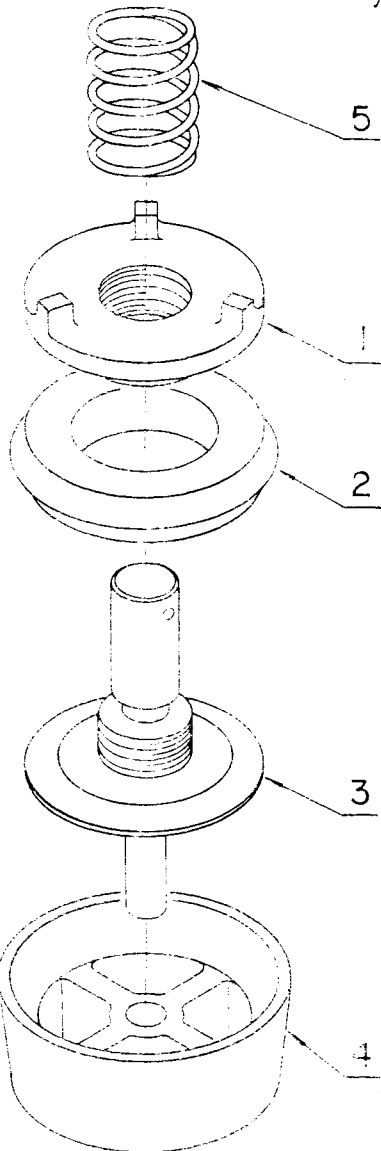
C74883

Ref. No.	Name of Part	Qty. Req. Per Pump	Models PZGA PZGBFA PZGBFB
<b>FLUID VALVE (Three-Rib Seat with Double Angle Urethane Insert)</b>			
	VALVE GROUP (For reference only – Do not order).....		Part No. 2013533
	ASM FLUID VALVE, Incl. Ref. No. 1 thru 6.....	6	2014689
1	RING-RETAINER .....	6	2010666
2	RETAINER, Split .....	12	2010665
3	PLATE-VALVE BODY .....	6	2010845
4	INSERT (Urethane).....	6	2010321
5	BODY-VALVE .....	6	
7	SEAT-VALVE.....	6	2014688
8	SPRING .....	6	78H44
<b>VALVE SEAT PULLER – OPTIONAL</b>			
φ	ASM VALVE SEAT PULLER (Less Head).....	1	See page 10
φ	HEAD-PULLER .....	1	See page 10
φ	BAR, Valve Cover Rightening.....	1	62L62
φ	PIN, Valve Cover Tightening Bar .....	1	2009526

φ Not shown on illustration.

NOTE: Part Numbers listed only for those parts normally furnished for repair.

Order by Part Number and Description. Reference Numbers for your convenience only.



B75080

Ref. No.	Name of Part	Qty. Req. Per Pump	Models PZGA PZGBFA PZGBFB
----------	--------------	--------------------	---------------------------

**FLUID VALVE  
(Four-Rib Seat with  
Reversible Urethane Insert)**

		Part No.
	VALVE GROUP (For reference only – Do not order).....	PZL66086
	ASM FLUID VALVE, Incl. Ref. No. 1 thru 3.....	6 200PZL482
1	PLATE-VALVE BODY .....	6 2109263
2	INSERT (Urethane).....	6 2010512
3	BODY-VALVE.....	6
4	SEAT-VALVE.....	6 200PZL039
5	SPRING .....	6 78H44

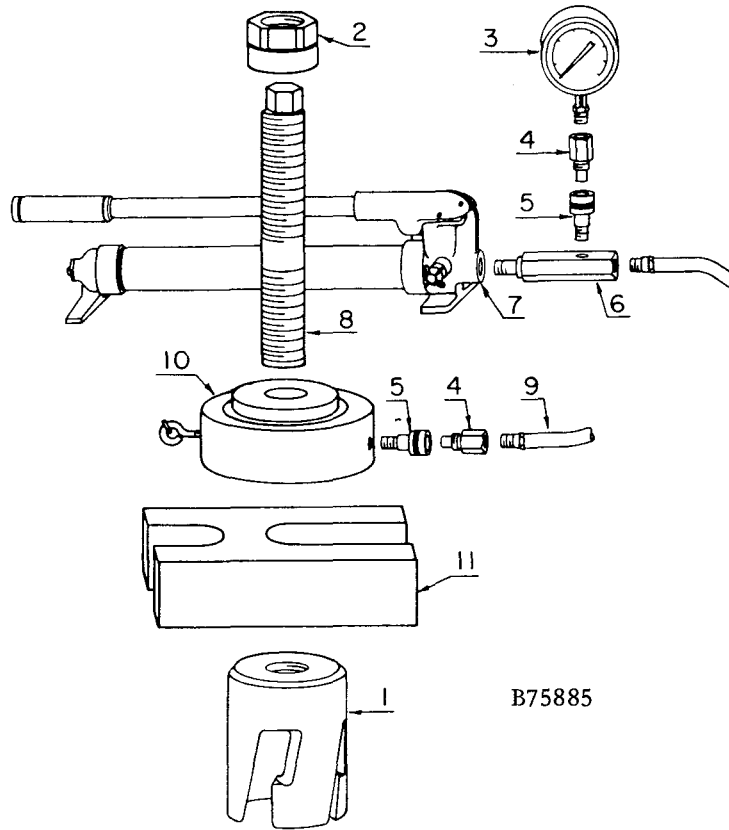
**VALVE SEAT PULLER – OPTIONAL**

φ	ASM VALVE SEAT PULLER (Less Head).....	1	See page 10
φ	HEAD-PULLER .....	1	See page 10

φ Not shown on illustration.

NOTE: Part Numbers listed only for those parts normally furnished for repairs.

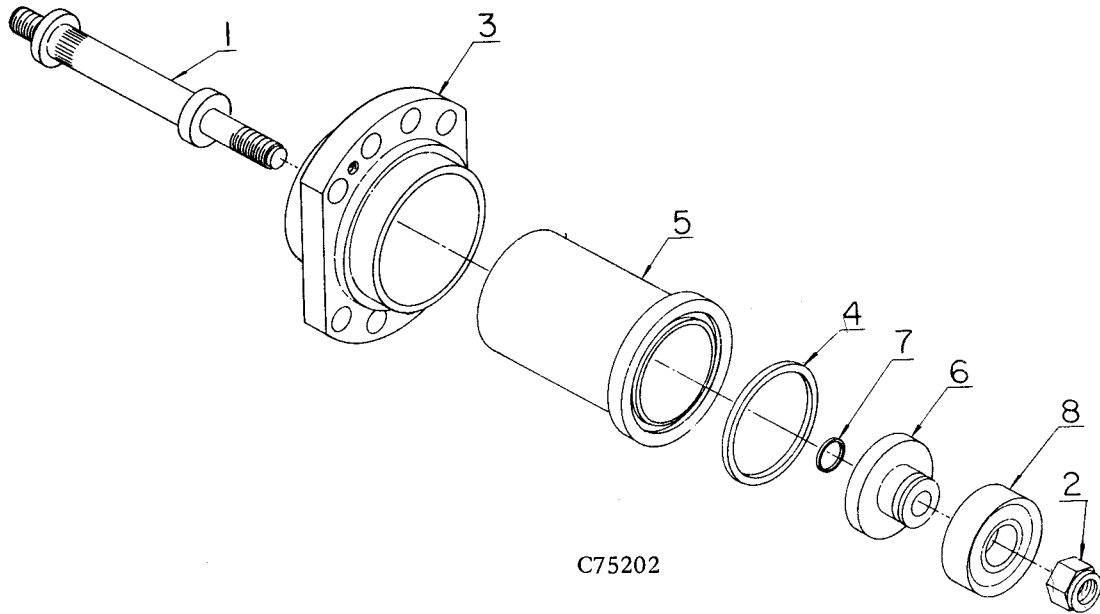
Order by Part Number and Description. Reference Numbers for your convenience only.



Ref. No.	Name of Part	Qty. Req. Per Pump	Models PZGA PZGBFA PZGBFB	Models PZGA PZGBFA PZGBFB
	<b>VALVE SEAT PULLER</b>		<b>Part No.</b>	<b>Part No.</b>
	<b>OPTIONAL EQUIPMENT</b>		<b>(Three-rib Valves)</b>	<b>(Four-rib Valves)</b>
1	HEAD (Not included with 100E9 Puller) . . . . .	1	100E11	100E10
	ASM VALVE SEAT PULLER, Incl. Ref. No. 2 thru 11 . .	1	100E9	100E9
2	NUT . . . . .	1		
3	GAUGE . . . . .	1		
4	HOSE COUPLING (MALE) . . . . .	1		
5	HOSE COUPLING (FEMALE) . . . . .	1	2109166	2109166
6	BUSHING . . . . .	1		
7	HYDRAULIC PUMP . . . . .	1		
8	STEM . . . . .	1	2109167	2109167
9	HYDRAULIC HOSE . . . . .	1	2109168	2109168
10	HYDRAULIC HOSE . . . . .	1		
11	PULLER CROSSBAR . . . . .	1		

NOTE: Part Numbers listed only for those parts normally furnished for repairs.

Order by Part Number and Description. Reference Numbers for your convenience only.



Ref. No.	Name of Part	Qty. Req. Per Pump	Models PZGA PZGBFA
----------	--------------	--------------------	--------------------

Ref. No.	Name of Part	Qty. Req. Per Pump	Models PZGA PZGBFA
----------	--------------	--------------------	--------------------

**PISTON ROD,  
LINER CLAMP,  
LINER & PISTON**

Part No.

1	ASM PISTON ROD, Incl. Ref. No. 2. . . . .	3	200PYG060A
2	LOCKNUT. . . . .	3	50V14
3	CLAMP-LINER. . . . .	3	1PV14
4	GASKET, Liner to Cylinder . . . . .	3	25AT37
<b>(4-1/2" Diameter)</b>			
5	LINER . . . . .	3	201PZG456
6	ASM PISTON, Incl. Ref. No. 7 & 8. . . . .	3	45P2
7	O-RING . . . . .	3	25AH1
8	INSERT . . . . .	3	45Q2
<b>(5" Diameter)</b>			
5	LINER . . . . .	3	200PZG456
6	ASM PISTON, Incl. Ref. No. 7 & 8. . . . .	3	45P3
7	O-RING . . . . .	3	25AH1
8	INSERT . . . . .	3	45Q3
<b>(5-1/2" Diameter)</b>			
5	LINER . . . . .	3	PY13955
6	ASM PISTON, Incl. Ref. No. 7 & 8. . . . .	3	45P4

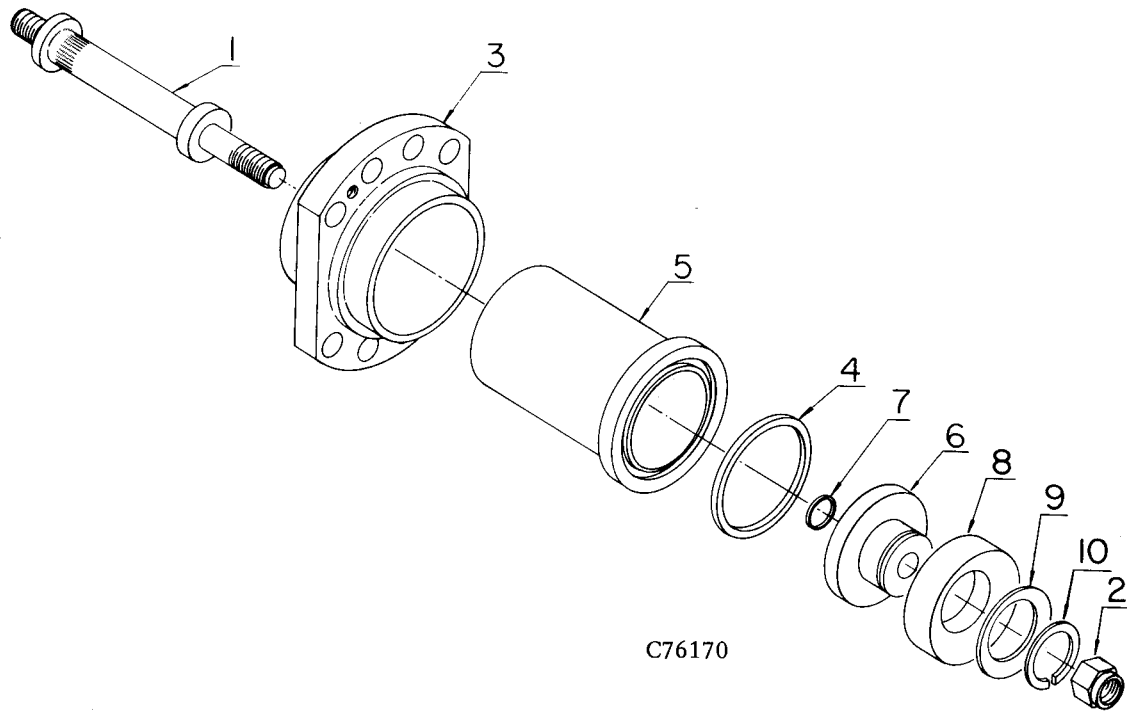
**PISTON ROD,  
LINER CLAMP,  
LINER & PISTON  
(Continued)**

Part No.

7	O-RING . . . . .	3	25AH1
8	INSERT . . . . .	3	45Q4
<b>(6" Diameter)</b>			
5	LINER . . . . .	3	PY13960
6	ASM PISTON, Incl. Ref. No. 7 & 8. . . . .	3	45P5
7	O-RING . . . . .	3	25AH1
8	INSERT . . . . .	3	45Q5
<b>(6-1/2" Diameter)</b>			
5	LINER . . . . .	3	PY13965
6	ASM PISTON, Incl. Ref. No. 7 & 8. . . . .	3	45P6
7	O-RING . . . . .	3	25AH1
8	INSERT . . . . .	3	45Q6
<b>(7" Diameter)</b>			
5	LINER . . . . .	3	PY13970
6	ASM PISTON, Incl. Ref. No. 7 & 8. . . . .	3	45P7
7	O-RING . . . . .	3	25AH1
8	INSERT . . . . .	3	45Q7

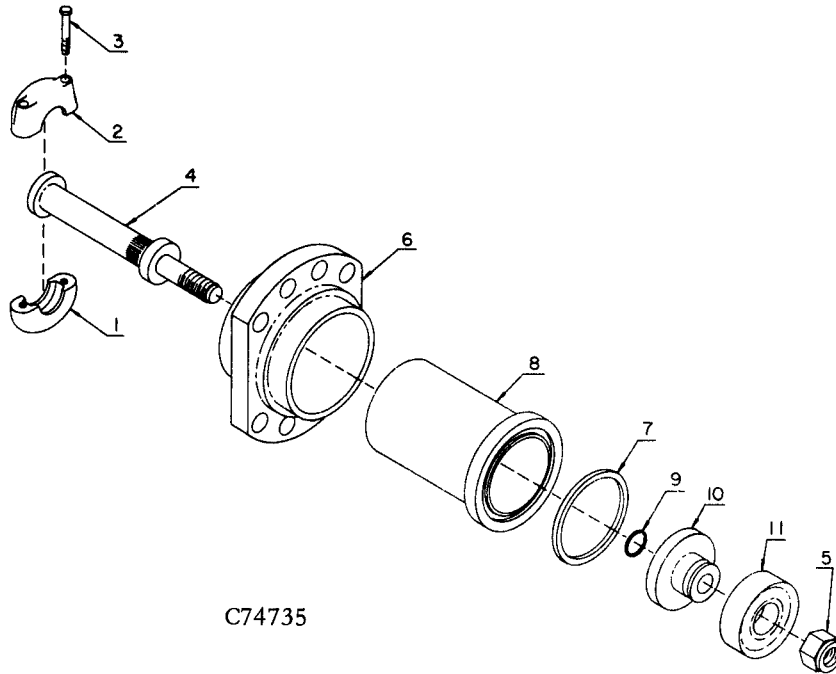
WRENCH, Liner & Cylinder Nut (1) . . . . . 99L11

Order by Part Number and Description. Reference Numbers for your convenience only.



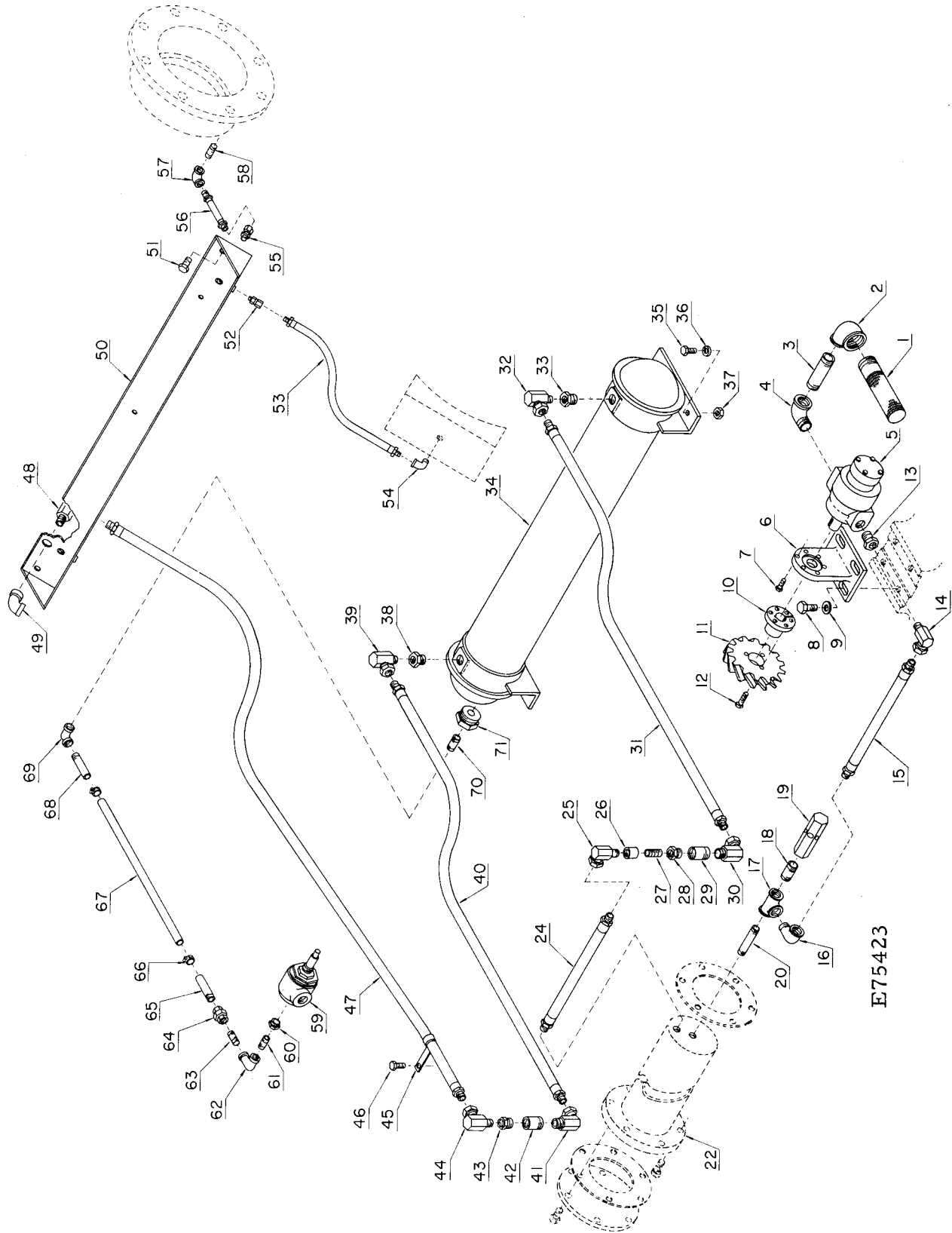
Ref. No.	Name of Part	Qty. Req. Per Pump	Models PZGA PZGBFA	Ref. No.	Name of Part	Qty. Req. Per Pump	Models PZGA PZGBFA
<b>PISTON ROD, LINER CLAMP, LINER &amp; PISTON (Mission Pistons)</b>				<b>Part No.</b>			
1	ASM PISTON ROD, Incl. Ref. No. 2	3	200PYG060A	9	END PLATE	3	
2	LOCKNUT	3	50V14	10	RETAINER	3	
3	CLAMP-LINER	3	1PV14	<b>(6" Diameter)</b>			
4	GASKET, Liner to Cylinder	3	25AT37	5	LINER	3	PY13960
<b>(4-1/2" Diameter)</b>				6	ASM PISTON, Incl. Ref. No. 7, 8, 9 & 10	3	45R16
5	LINER	3	201PZG456	7	O-RING	3	25AH1
6	ASM PISTON, Incl. Ref. No. 7, 8, 9 & 10	3	45R7	8	INSERT	3	45R27
7	O-RING	3	25AH1	9	END PLATE	3	
8	INSERT	3	45R13	10	RETAINER	3	
9	END PLATE	3		<b>(6-1/2" Diameter)</b>			
10	RETAINER	3		5	LINER	3	PY13965
<b>(5" Diameter)</b>				6	ASM PISTON, Incl. Ref. No. 7, 8, 9 & 10	3	45R18
5	LINER	3	200PZG456	7	O-RING	3	25AH1
6	ASM PISTON, Incl. Ref. No. 7, 8, 9 & 10	3	45R14	8	INSERT	3	45R29
7	O-RING	3	25AH1	9	END PLATE	3	
8	INSERT	3	45R25	10	RETAINER	3	
9	END PLATE	3		<b>(7" Diameter)</b>			
10	RETAINER	3		5	LINER	3	PY13970
<b>(5-1/2" Diameter)</b>				6	ASM PISTON, Incl. Ref. No. 7, 8, 9 & 10	3	45R19
5	LINER	3	PY13955	7	O-RING	3	25AH1
6	ASM PISTON, Incl. Ref. No. 7, 8, 9 & 10	3	45R15	8	INSERT	3	45R30
7	O-RING	3	25AH1	9	END PLATE	3	
8	INSERT	3	45R26	10	RETAINER	3	

Order by Part Number and Description. Reference Numbers for your convenience only.



Ref. No.	Name of Part	Qty. Req. Per Pump	Model PZGBFB	Ref. No.	Name of Part	Qty. Req. Per Pump	Model PZGBFB
<b>PISTON &amp; LINER</b>				<b>PISTON &amp; LINER (Continued)</b>			
<b>Part No.</b>				<b>Part No.</b>			
ASM PLUNGER COUPLING, Incl. Ref. No. 1, 2 & 3 . . . . .				<b>(5-1/2" Diameter)</b>			
1	COUPLING-PLUNGER, Threaded Half . . . . .	3	2012240	8	LINER . . . . .	3	PY13955
2	COUPLING-PLUNGER, Drilled Half . . . . .	3	2012238	9	O-RING . . . . .	3	25AH1
3	SCREW, Coupling Plunger . . .	3	2012237	10	ASM PISTON, Incl. Ref. No. 9 & 11 . . . . .	3	45P4
4	ASM PISTON ROD, Incl. Ref. No. 5 . . . . .	6	75A208C	11	INSERT . . . . .	3	45Q4
5	LOCKNUT . . . . .	3	201PZG060A	<b>(6" Diameter)</b>			
6	CLAMP-LINER . . . . .	3	50V14	8	LINER . . . . .	3	PY13960
7	GASKET, Liner to Cylinder . . .	3	1PV14	9	O-RING . . . . .	3	25AH1
<b>(4-1/2" Diameter)</b>				10	ASM PISTON, Incl. Ref. No. 9 & 11 . . . . .	3	45P5
8	LINER . . . . .	3	201PZG456	11	INSERT . . . . .	3	45Q5
9	O-RING . . . . .	3	25AH1	<b>(6-1/2" Diameter)</b>			
10	ASM PISTON, Incl. Ref. No. 9 & 11 . . . . .	3	45P2	8	LINER . . . . .	3	PY13965
11	INSERT . . . . .	3	45Q2	9	O-RING . . . . .	3	25AH1
<b>(5" Diameter)</b>				10	ASM PISTON, Incl. Ref. No. 9 & 11 . . . . .	3	45P6
8	LINER . . . . .	3	200PZG456	11	INSERT . . . . .	3	45Q6
9	O-RING . . . . .	3	25AH1	<b>(7" Diameter)</b>			
10	ASM PISTON, Incl. Ref. No. 9 & 11 . . . . .	3	45P3	8	LINER . . . . .	3	PY13970
11	INSERT . . . . .	3	45Q3	9	O-RING . . . . .	3	25AH1
				10	ASM PISTON, Incl. Ref. No. 9 & 11 . . . . .	3	45P7
				11	INSERT . . . . .	3	45Q7

WRENCH, Liner & Cylinder Nut (1) . . . . . 99L11



E75423

FOR LIST OF PARTS SEE PAGE 15.

Order by Part Number and Description. Reference Numbers for your convenience only.

Ref. No.	Name of Part	Qty. Req. Per Pump	Model PZGA	Models PZGBFA PZGBFB	Ref. No.	Name of Part	Qty. Req. Per Pump	Model PZGA	Models PZGBFA PZGBFB
<b>OIL PUMP &amp; PIPING</b>					<b>OIL PUMP &amp; PIPING (Continued)</b>				
			Part No.	Part No.				Part No.	Part No.
1	SCREEN-OIL . . . . .	1	3WAJ511	3WAJ511		(Heat Exchanger to Oil Trough Group)			
2	ELBOW-PIPE . . . . .	1	64S12	64S12		BUSHING-PIPE . . . . .	1	64E11	64E11
3	NIPPLE-PIPE . . . . .	1	63H4	63H4	38	ADAPTOR-HOSE . . . . .	1	29Q10	29Q10
4	ELBOW-PIPE . . . . .	1	64C6	64C6	39	ASM HYDRAULIC HOSE . . . . .	1	2009247	2009247
φ	NIPPLE-PIPE . . . . .	1	63H4	63H4	40	ADAPTOR-HOSE . . . . .	1	29Q10	29Q10
5	PUMP-OIL . . . . .	1	*	*	41	CONNECTOR-PIPE . . . . .	1	78AUX113	78AUX113
6	ADAPTOR, Oil Pump to Frame . . . . .	1	PZ1398	PZ1398	42	BUSHING-PIPE . . . . .	1	64E16	64E16
7	SCREW, Adaptor to Oil Pump . . . . .	6	75B54	75B54	43	ADAPTOR-HOSE . . . . .	1	29Q17	29Q17
φ	WIRE, Adaptor to Oil Pump Screw . . . . .	12 In.	97A29	97A29	44	CLAMP, Hose . . . . .	2	PZ1301	PZ1301
8	SCREW, Adaptor to Frame . . . . .	4	75B11	75B11	45	SCREW, Clamp . . . . .	1	75A195	75A195
9	WASHER . . . . .	4	95U7	95U7	46	SCREW, Hose Clamp to Bearing Housing . . . . .	1	75A235N	73A235N
φ	WIRE, Adaptor to Frame Screw . . . . .	24 In.	97A29	97A29	φ	WASHER, Hose Clamp to Bearing Housing . . . . .	1	95A8	95A8
10	BUSHING-HUB, Incl. Ref. No. 12 . . . . .	1	22F12SD	22F12SD	47	ASM HYDRAULIC HOSE . . . . .	1	29R93	29R93
11	GEAR-DRIVEN, Oil Pump . . . . .	1	2013884	202PZG280	48	ADAPTOR-HOSE . . . . .	1	29Q17	29Q17
12	SCREW, Gear to Bushing (Incl. with Ref. No. 10) . . . . .	1			49	ELBOW-PIPE . . . . .	1	64C5	64C5
					50	TROUGH, Oil Feed . . . . .	1	200PZG125	200PZG125
					51	SCREW, Oil Feed Trough to Frame . . . . .	2	75A192	75A192
						(Oil Trough to Main Bearings)			
13	BUSHING-PIPE . . . . .	1	64E16	64E16	52	ADAPTOR-HOSE . . . . .	2	29Q54	29Q54
14	ADAPTOR-HOSE . . . . .	1	29Q17	20Q17	53	ASM HYDRAULIC HOSE . . . . .	2	29Z60	29Z60
15	ASM HYDRAULIC HOSE . . . . .	1	29E12	29E12	54	ELBOW-PIPE STREET . . . . .	2	64D4	64D4
16	ELBOW-PIPE STREET . . . . .	1	64D6	64D6		(Oil Trough to Jackshaft Bearings)			
17	TEE-PIPE . . . . .	1	64G7	64G7	55	ADAPTOR-HOSE . . . . .	2	29Q54	29Q54
18	NIPPLE-PIPE . . . . .	1	63U12X16	63U12X16	56	ASM HYDRAULIC HOSE . . . . .	2	29Z61	29Z61
19	VALVE-LIQUID RELIEF . . . . .	1	90AR28	90AR28	57	ELBOW-PIPE . . . . .	2	64C3	64C3
20	NIPPLE-PIPE . . . . .	1	63U12X34	63U12X34	58	NIPPLE-PIPE . . . . .	2	63E4	63E4
22	FILTER-OIL . . . . .	1	**	**		(Thermostatic Valve to Heat Exchanger Group)***			
					59	VALVE-THERMOSTATIC . . . . .	1	90K165	90K165
					60	BUSHING-PIPE . . . . .	1	64E14	64E14
					61	NIPPLE-PIPE . . . . .	1	63F21	63F21
					62	ELBOW-PIPE . . . . .	1	64C4	64C4
					63	NIPPLE-PIPE . . . . .	1	63F21	63F21
					64	UNION . . . . .	1	64Z3	64Z3
					65	NIPPLE-PIPE . . . . .	1	63AJ8X40	63AJ8X40
					66	CLAMP-HOSE . . . . .	2	29B31	29B31
					67	HOSE-OIL . . . . .	1	R14G200	R14G200
					68	NIPPLE-PIPE . . . . .	1	63AJ8X40	63AJ8X40
					69	ELBOW-PIPE . . . . .	1	64C4	64C4
					70	NIPPLE-PIPE . . . . .	1	63F21	63F21
					71	BUSHING-PIPE . . . . .	1	64E29	64E29
24	(Filter to Heat Exchanger Group)***								
24	ASM HYDRAULIC HOSE . . . . .	1	29Z84	29Z84					
25	ADAPTOR-HOSE . . . . .	2	29Q17	29Q17					
26	COUPLING-PIPE . . . . .	1	64BK5	64BK5					
27	NIPPLE-PIPE . . . . .	1	63G1	63G1					
28	BUSHING-PIPE . . . . .	1	64E16	64E16					
29	CONNECTOR-PIPE . . . . .	1	78AUX113	78AUX113					
30	ADAPTOR-HOSE . . . . .	1	29Q10	29Q10					
31	ASM HYDRAULIC HOSE . . . . .	1	2009247	2009247					
32	ADAPTOR-HOSE . . . . .	1	29Q10	29Q10					
33	BUSHING-PIPE . . . . .	1	64E11	64E11					
34	HEAT EXCHANGER . . . . .	1	2013457	2013457					
35	SCREW, Heat Exchanger to Skid . . . . .	4	75A20	75A20					
36	WASHER-LOCK . . . . .	4	95B5	95B5					
37	NUT . . . . .	4	50B5	50B5					
φ	PLUG-ZINC, Protective . . . . .	1	2008076	2008076					

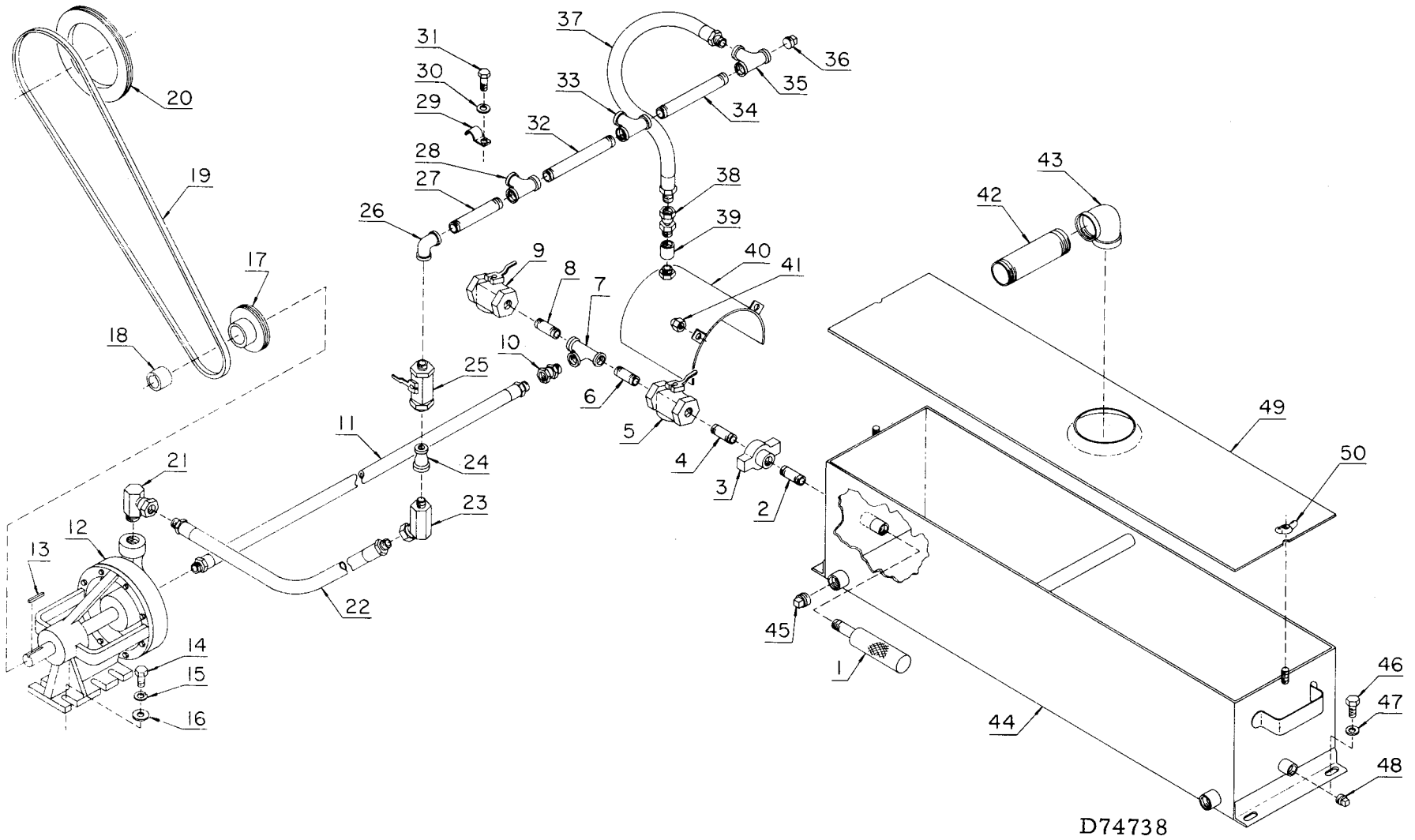
φ Not shown on illustration.

\* For Oil Pump and component parts see page 18.

\*\* For Oil Filter and component parts see page 19.

\*\*\* For Model PZGBFB Ref. No. 24 thru 43 and Ref. No. 59 thru 71 are available as optional equipment.





D74738

FOR LIST OF PARTS SEE PAGE 17.

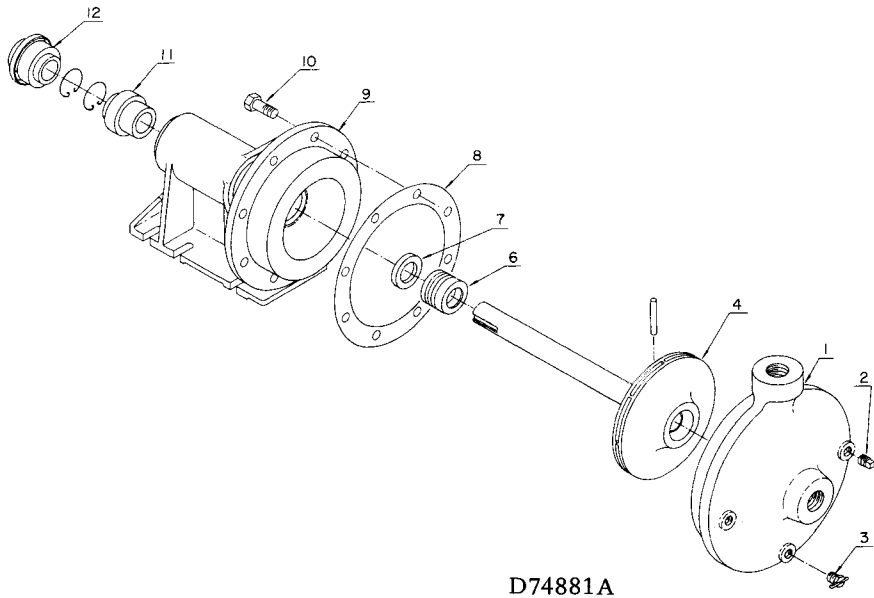
Order by Part Number and Description. Reference Numbers for your convenience only.

Ref. No.	Name of Part	Qty. Req. Per Pump	Models PZGA PZGBFA PZGBFB	Ref. No.	Name of Part	Qty. Req. Per Pump	Models PZGA PZGBFA PZGBFB
<b>PISTON LUBRICATING PIPING</b>				<b>PISTON LUBRICATING PIPING (Continued)</b>			
(Lube Oil Tank to Pump Group)							
1	SCREEN-OIL.....	1	2WAJ511	22	ASM HYDRAULIC HOSE.....	1	2009247
2	NIPPLE-PIPE.....	1	63H25	23	ADAPTOR-HOSE.....	1	29Q27
3	UNION-HAMMER, Wing.....	1	64EB1	24	REDUCER-PIPE.....	1	64N3
4	NIPPLE-PIPE.....	1	63H25	25	VALVE.....	1	90A25
5	VALVE.....	1	90A36	26	ELBOW-PIPE.....	1	64C5
6	NIPPLE-PIPE.....	1	63H25	27	NIPPLE-PIPE.....	1	63G8
7	TEE-PIPE.....	1	64G8	28	TEE-PIPE.....	1	64P39
8	NIPPLE-PIPE.....	1	63H25	29	CLAMP-PIPE.....	2	98H5
9	VALVE.....	1	90A36	30	WASHER.....	2	95A3
10	ADAPTOR-HOSE.....	1	29Q9	31	SCREW.....	2	75A68
11	ASM HYDRAULIC HOSE.....	1	2009270	32	NIPPLE-PIPE.....	1	63N12X144
12	PUMP-PISTON LUBRICATING, Incl.			33	TEE-PIPE.....	1	64P39
	Ref. No. 13.....	1	*	34	NIPPLE-PIPE.....	1	63N12X144
13	KEY.....	1	35B4	35	TEE-PIPE.....	1	64P39
14	SCREW, Pump to Skid.....	4	75A1	36	PLUG-SqHd PIPE.....	1	64A5
15	WASHER-LOCK, Pump to Skid.....	4	95B3	37	ASM HYDRAULIC HOSE.....	3	29R32
16	WASHER, Pump to Skid.....	4	95A3	38	ADAPTOR-HOSE.....	3	29Q83
φ	PLATE, Lubricating Pump to Skid.....	1	201PZG247	39	REDUCER-PIPE.....	3	64N15
φ	SCREW, Lubricating Pump to Skid.....	2	75A20	40	BAFFLE.....	3	1P0840
φ	WASHER-PLAIN, Lubricating Pump to Skid.....	2	95A5	41	NUT-ACORN.....	6	50Q30
φ	WASHER-LOCK, Lubricating Pump to Skid.....	2	95B5	(Frame to Lube Oil Tank Group)			
17	SHEAVE-DRIVEN.....	1	73K1A30	42	NIPPLE-PIPE.....	1	63L7
18	BUSHING-HUB, Driven Sheave.....	1	22E16B	43	ELBOW-PIPE.....	1	64C9
19	BELT.....	1	13C22	44	TANK-LUBE OIL.....	1	2012639
20	SHEAVE-AUXILIARY.....	1	2006091	45	PLUG-SqHd PIPE.....	2	64A7
φ	SET SCREW, Sheave.....	2	76F30	46	SCREW, Lube Tank to Skid.....	4	75A4
	(Pump to Liner Group)			47	WASHER.....	4	95A5
21	ADAPTOR-HOSE.....	1	29Q10	48	PLUG-SqHd PIPE.....	1	64A6
				49	COVER-LUBE OIL TANK.....	1	2012655
				50	NUT-WING.....	2	50H1

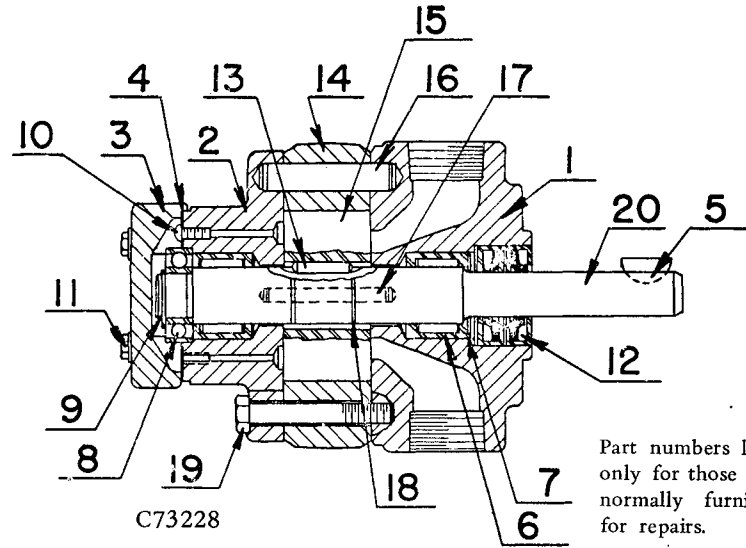
φ Not shown on illustration.

\* For Piston Lubricating Pump and component parts see page 18.

Order by Part Number and Description. Reference Numbers for your convenience only.



D74881A



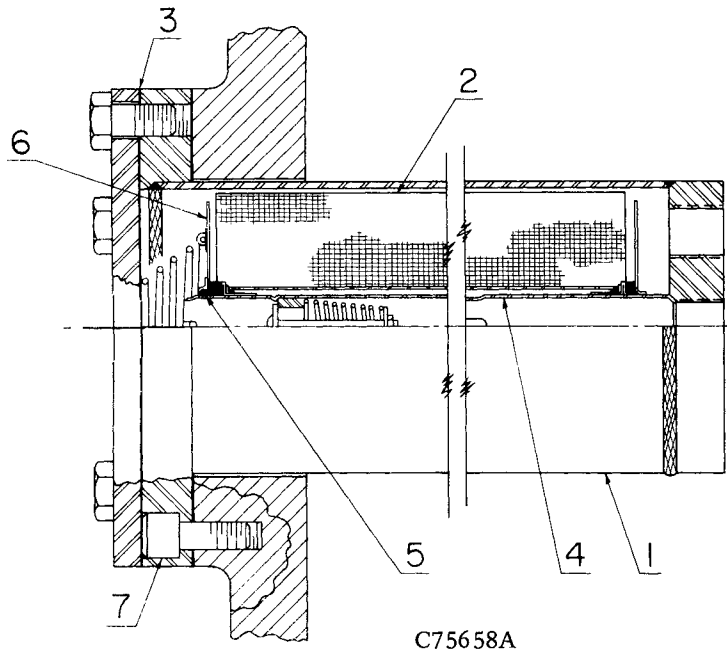
Part numbers listed only for those parts normally furnished for repairs.

15-508 Page 18

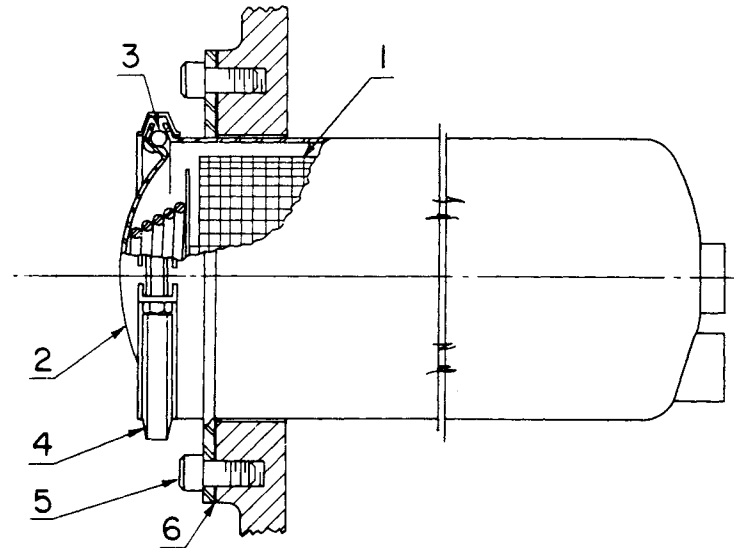
Ref. No.	Name of Part	Qty. Req. Per Unit	Models PZGA PZGBFA PZGBFB	Part No.
<b>PISTON LUBRICATING PUMP</b>				
	ASM PUMP, Incl. all parts shown	1	CA122	
1	CASING	1	C1K2A1	
2	PLUG-SqHd PIPE	2	64AA6	
3	COCK, Drain	1	90C31	
4	ASM IMPELLER, SHAFT & PIN	1	C1K1A1A	
6	SEAL, Incl. Ref. No. 7.	1	60BT11	
7	SEAT, Seal (Ceramic)	1	54C269	
8	GASKET	1	25D212	
9	FRAME	1	C1H4A2	
10	SCREW	8	75A130	
11	BEARING-BALL (Inner), Incl. Retaining Ring	1	12AK3	
12	BEARING-BALL (Outer), Incl. Retaining Ring	1	12AK3	

Ref. No.	Name of Part	Qty. Req. Per Unit	Models PZGA PZGBFA PZGBFB	Part No.
<b>OIL PUMP</b>				
	PUMP, Incl. all the following items	1		46C21
1	BODY	1		
2	HEAD	1		
3	CAP, End	1		
4	GASKET	1		2010024
5	KEY, Drive	1		
6	BEARING, Shaft	2		2010025
7	RING, Snap	1		
8	BEARING, Thrust	1		2010026
9	RING, Snap	1		
10	SCREW, Drain Plug	1		
11	SCREW, Hex Head	4		
12	SEAL	2		2010027
13	KEY, Rotor	1		
14	RING, Eccentric	1		
15	ROTOR SET	1		2010208
16	PIN, Eccentric	2		
17	PIN, Locating	1		
18	RETAINER, Key	2		
19	SCREW, Hex Head	8		
20	SHAFT	1		

Order by Part Number and Description. Reference Numbers for your convenience only.



C75658A



B75682

15-508 Page 19

Ref. No.	Name of Part	Qty. Req. Per Pump	Model PZGA *
<b>OIL FILTER</b>			
	ASM OIL FILTER, Incl. Ref. No. 2 thru 6 . . . . .	1	26A40
1	ASM SHELL . . . . .	1	2010236
2	ASM ELEMENT, Incl. Ref. No. 3 . . . . .	1	5E30
3	GASKET, Cover. . . . .	1	25C1788
4	ASM SPOOL (with Bypass). . . . .	1	2008037
5	O-RING. . . . .	1	25W21
6	ASM PRESSURE PLATE, Incl. Spring and Ref. No. 5 . . . . .	1	2008033
7	SCREW, Filter to Frame. . . . .	6	75P95

\* Model PZGA pumps were originally built as shown above, using the flat plate type cover. Later, the clamp type Oil Filter (26C3) was used as shown on drawing B75682.

Ref. No.	Name of Part	Qty. Req. Per Pump	Models PZGA * PZGBFA PZGBFB
<b>OIL FILTER</b>			
	ASM OIL FILTER, Incl. Ref. No. 1 thru 4 . . . . .	1	26C3
1	ASM ELEMENT, Incl. Ref. No. 3 . . . . .	1	2010976
2	COVER. . . . .	1	2010978
3	O-RING. . . . .	1	25W59
4	CLAMP. . . . .	1	2010979
5	SCREW, Filter to Frame. . . . .	6	75A18
6	GASKET, Filter to Frame. . . . .	1	25C1788

\* Model PZGA pumps were originally built as shown on drawings C75658A. Construction was then changed to the clamp type filter cover as shown above.



Litho in U.S.A.

12C-11-81



# **GARDNER-DENVER**

**INDUSTRIAL MACHINERY DIVISION**



1800 GARDNER EXPRESSWAY • QUINCY, ILLINOIS 62301 • (217) 222-5400

SALES AND SERVICE OFFICES IN ALL PRINCIPAL CITIES